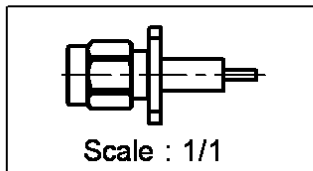
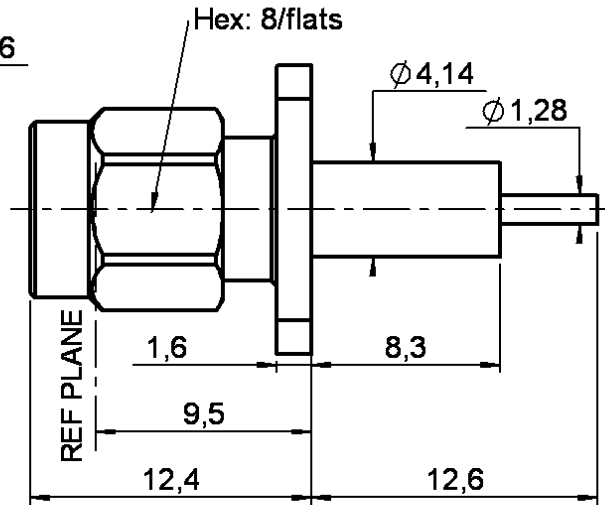
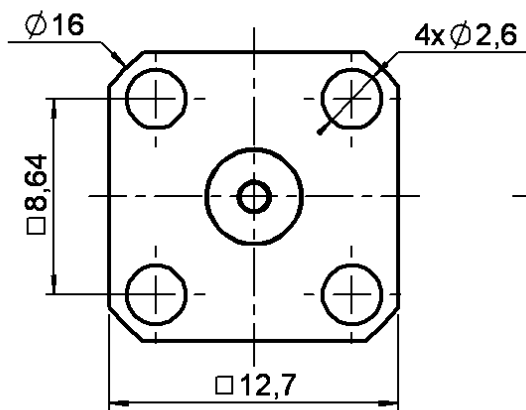


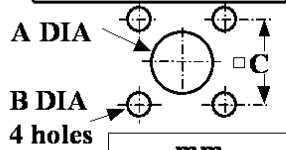
**ADJUSTABLE SQUARE FLANGE PLUG RECEPTACLE**  
**WITH CYLINDRICAL CONTACT**

**R125.443.000**

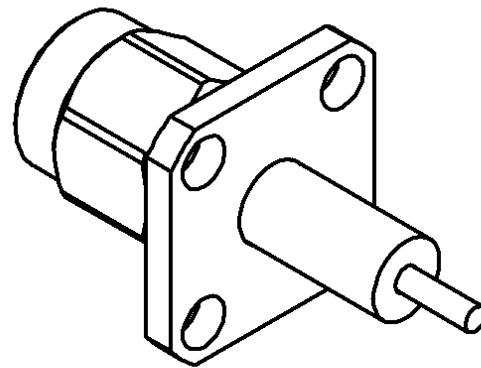
Series : SMA



**PANEL CUT OUT**



	mm	
	Maxi	mini
A	4.3	4.2
B	2.7	2.6
C	8.69	8.59



All dimensions are in mm.

COMPONENTS	MATERIALS	PLATING
BODY	STAINLESS STEEL	GOLD 0.5 OVER NICKEL 2 µm
CENTRE CONTACT	BRASS	GOLD 1.3 OVER NICKEL 2 µm
OUTER CONTACT	-	- µm
INSULATOR	PTFE	
GASKET	SILICONE RUBBER	
OTHERS PARTS	STAINLESS STEEL	GOLD 0.5 OVER NICKEL 2 µm
-	-	-
-	-	-



Edition : 9840 R

Design changes may be in order to improve the product.

**ADJUSTABLE SQUARE FLANGE PLUG RECEPTACLE**

**R125.443.000**

**WITH CYLINDRICAL CONTACT**

Series : SMA

**ELECTRICAL CHARACTERISTICS**

Impedance		<b>50</b> Ω
Frequency		<b>0-18</b> GHz
VSWR	<b>1.06*</b> +	<b>0.002</b> x F(GHz) Maxi
Insertion loss	<b>0.07*</b>	√F(GHz) dB Maxi
RF leakage	- (	<b>100</b> - F(GHz)) dB mini
Operating temperature		<b>-65/+165</b> ° C
Voltage rating		<b>500</b> Veff Maxi
Dielectric withstanding voltage		<b>1000</b> Veff mini
Insulation resistance		<b>5000</b> MΩ mini

**SPECIFICATION**

**ENVIRONMENTAL**

Hermetic seal	<b>NA</b>	Atm.cm3/s
Leakage – pressurised only	<b>NA</b>	Mpa

**OTHERS CHARACTERISTICS**

Assembly instruction **NA**

Others :  
\* Coaxial Transmission Line Only

**MECHANICAL CHARACTERISTICS**

Centre contact retention		
Axial force – Mating end		<b>NA</b> N mini
Axial force – Opposite end		<b>NA</b> N mini
Torque		<b>NA</b> N.cm mini
Recommended torque		
Mating		<b>100</b> N.cm
Panel nut		<b>NA</b> N.cm
Mating life		<b>500</b> Cycles mini
Weight		<b>5.100</b> g

